

## Features

- On-Chip Hall Sensor
- 3.5V to 20V Supply Voltage
- 300mA (avg) Output Sink Current
- Reversed Supply Voltage Protection
- -20°C to 85°C Operating Temperature
- Low Profile TO-94 (SIP-4L) Package
- High ESD Rating

## Applications

- Dual-Coil Brush-less DC Motor
- Dual-Coil Brush-less DC Fan
- Revolution counting
- Speed measurement

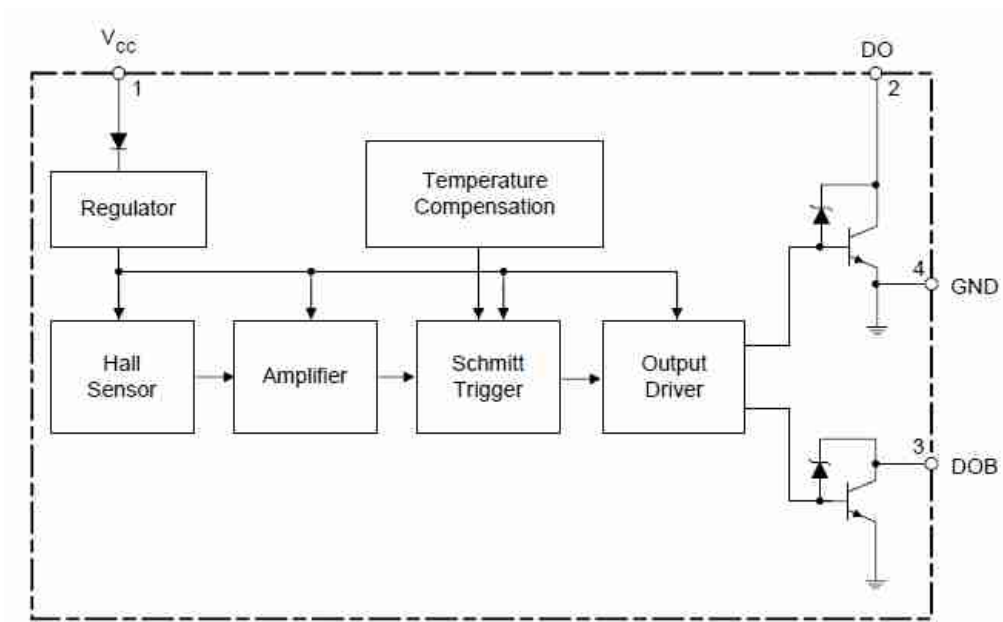
## General Description

The TX3277 is an integrated Hall sensor with output driver designed for electronic commutation of brush-less DC motor applications. The device includes an on-chip Hall voltage, a Schmitt trigger to provide switching hysteresis for noise rejection, a temperature compensation circuit to compensate the temperature drift of Hall sensitivity and two complementary open-collector drivers for sinking large load current. It also includes an internal band-gap regulator which is used to provide bias voltage for internal circuits.

Placing the device in a variable magnetic field, if the magnetic flux density is larger than threshold BOP, the pin DO will be turned low (on) and pin DOB will be turned high (off). This output state is held until the magnetic flux density reverses and falls below BRP, then causes DO to be turned high (off) and DOB turned low (on).

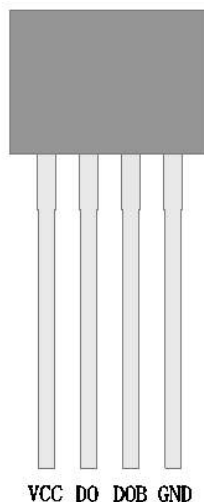
TX3277 is available in TO-94(SIP-4L) package.

## Block Diagram



## Pin Assignment

**TO94(Top View)**



Pin Description

Pin Number	Pin Name	Function
1	VCC	Supply voltage
2	DO	Output 1
3	DOB	Output 2
4	GND	Ground

**Absolute Maximum Ratings**

Symbol	Parameter		Value	Unit
$V_{CC}$	Supply Voltage		20	V
$V_{RCC}$	Reverse Protection Voltage		-20	V
B	Magnetic Flux Density		Unlimited	Gauss
IO	Output Current	Continuous	300	m A
		Hold	400	m A
		Peak(start up)	600	m A
PD	Power Dissipation		550	m W
$\theta_{JA}$	Thermal Resistance	Die to atmosphere	227	$^{\circ}C/W$
$\theta_{JC}$		Die to package case	49	$^{\circ}C/W$
TSTG	Storage Temperature		-50 to 150	$^{\circ}C$

Note: Stresses greater than those listed under “Absolut Maximum Ratings” may cause permanent damage to the device. These are stress ratings only, and functional operation of these or any other conditions beyond those indicated under “Recommended Operating Conditions” is not implied. “Absolute Maximum Ratings” for extended period may affect device reliability.

**Recommended Operating Conditions**

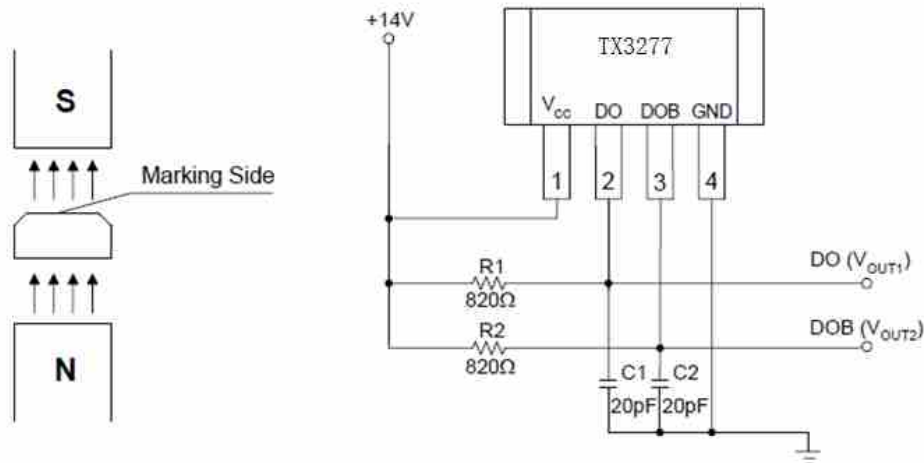
(TA=25°C)

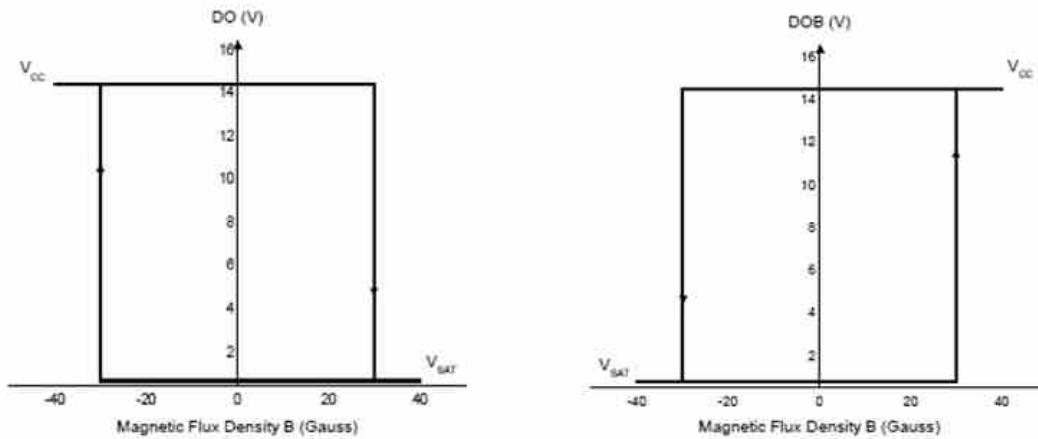
Parameter	Symbol	Min	Max	Unit
Supply Voltage	VCC	3.5	24	V
Ambient Temperature	TA	-20	85	°C

**Magnetic Characteristics**

(TA=25°C)

Characteristics	Symbol	Grade	Min	Typ	Max	Unit
Operating Point	Bop	A	15	30	45	Gauss
		B	10		65	Gauss
		C			95	Gauss
		D			135	Gauss
Releasing Point	Brp	A	-45	-30	-15	Gauss
		B	-65		-10	Gauss
		C	-95			Gauss
		D	-135			Gauss
Hysteresis	Bhys			60	Gauss	



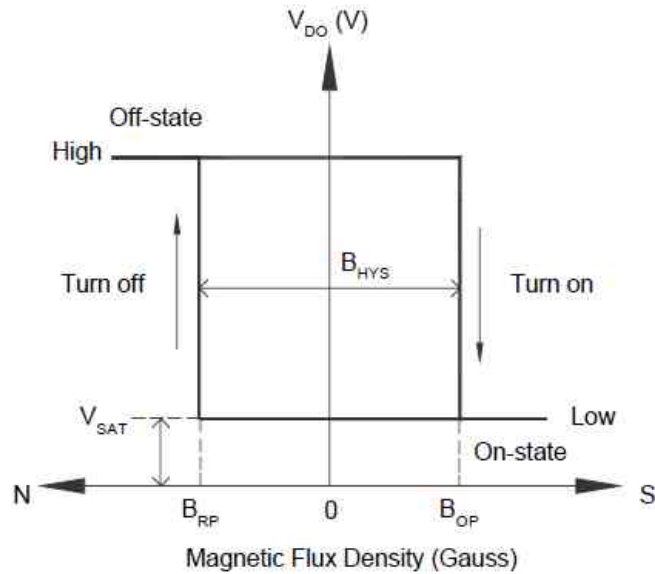


### Electrical Characteristics

(V<sub>CC</sub>=12V Ta=25°C, unless otherwise specified)

Symbol	Parameter	Test Conditions	Min.	Typ.	Max.	Unit
V <sub>SAT</sub>	Output Saturation Voltage	V <sub>CC</sub> =12V, I <sub>o</sub> =100mA	-	0.1		V
		I <sub>o</sub> =300mA		0.35	0.6	V
I <sub>oL</sub>	Output Leakage Current	V <sub>CE</sub> =16V	-	0.1	10	u A
I <sub>CC</sub>	Supply Current	V <sub>CC</sub> =12V, Output Open		12	16	mA
t <sub>r</sub>	Output Rise Time	R <sub>L</sub> =820 Ω C <sub>L</sub> =20PF	-	3.0	10	us
t <sub>f</sub>	Output Fall Time	R <sub>L</sub> =820 Ω C <sub>L</sub> =20PF	-	0.3	1.5	us
δ t	Switch Time Differential	R <sub>L</sub> =820 Ω C <sub>L</sub> =20PF	-	3.0	10	us
V <sub>Z</sub>	Output Zener Breakdown Voltage			55		V

### Application Circuits



**Typical Performance Characteristics**

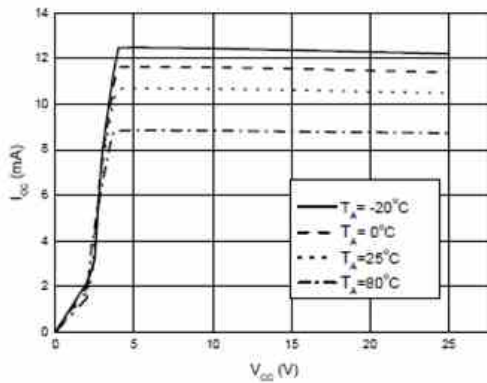


Figure 1.  $I_{cc}$  vs  $V_{cc}$

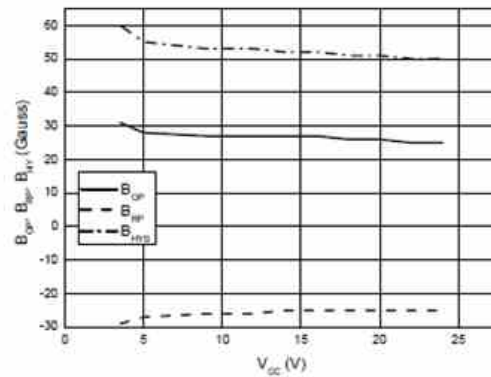


Figure 2.  $B_{op}/B_{rp}/B_{hys}$  vs  $V_{cc}$

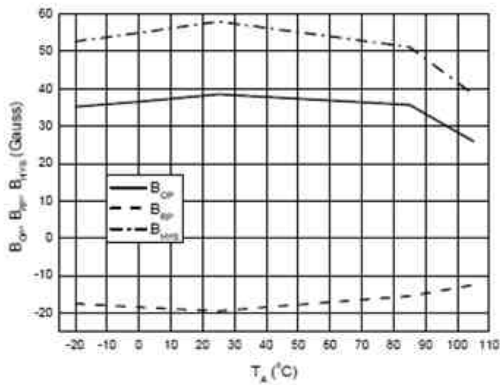


Figure 3.  $B_{op}/B_{rp}/B_{hys}$  vs Ambient Temperature

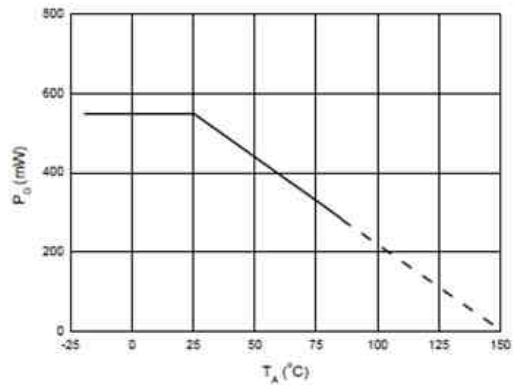


Figure 4.  $P_d$  vs. Ambient Temperature

Typical Performance Characteristics (Continued)

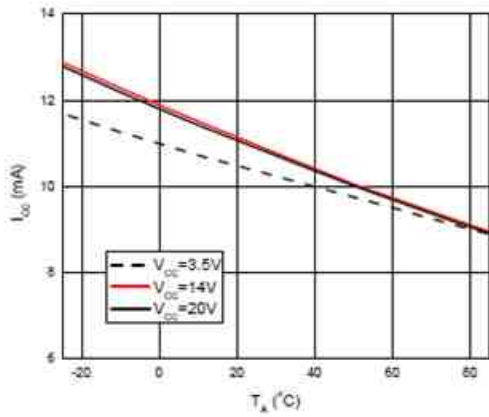


Figure5. Supply Current vs. Ambient Temperature

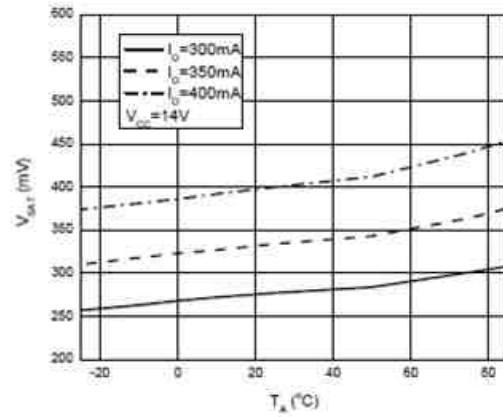
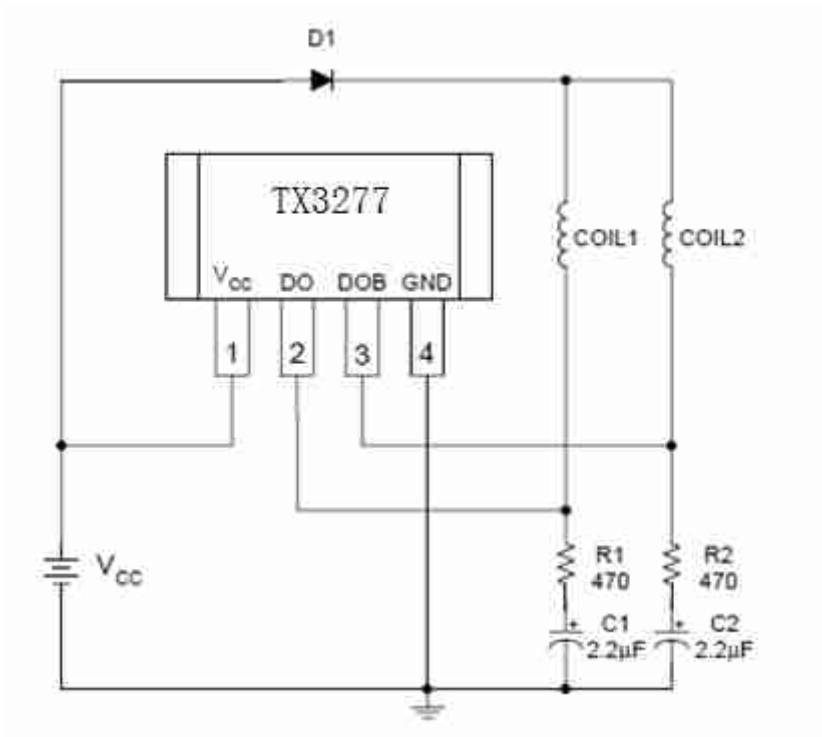
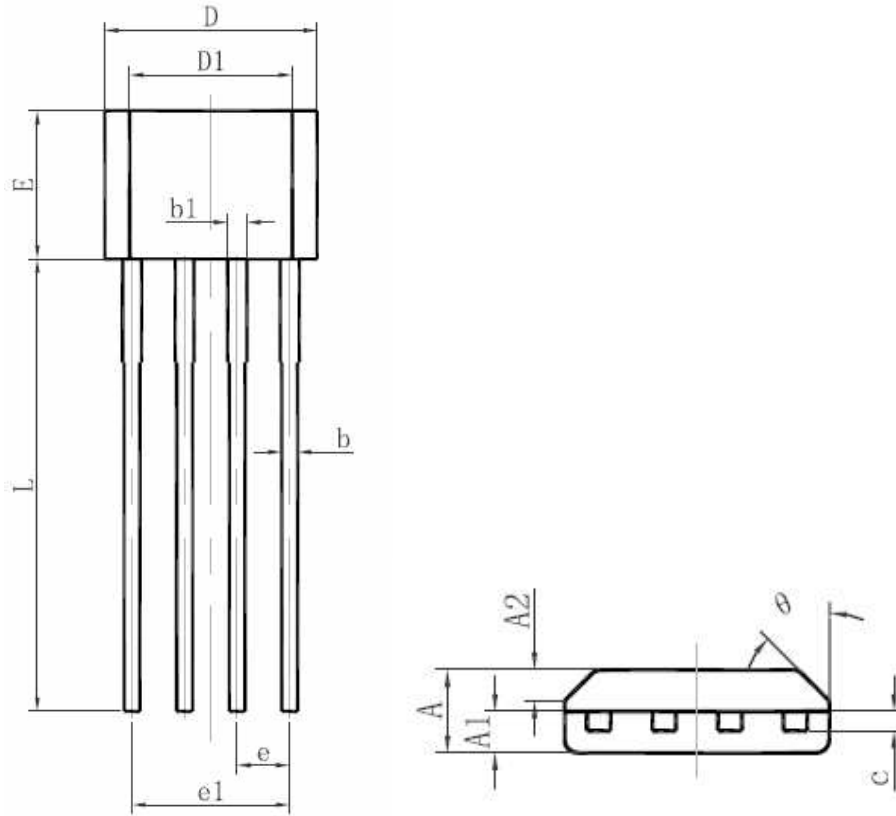


Figure6. Saturation Voltage vs. Ambient Temperature



**Package Information**

**TO-94 PACKAGE OUTLINE DIMENSIONS**



Symbol	Dimensions In Millimeters		Dimensions In Inches	
	Min.	Max.	Min.	Max.
A	1.400	1.800	0.055	0.071
A1	0.700	0.900	0.028	0.035
A2	0.500	0.700	0.020	0.028
b	0.360	0.500	0.014	0.020
b1	0.380	0.550	0.015	0.022
c	0.360	0.510	0.014	0.020
D	4.980	5.280	0.196	0.208
D1	3.780	4.080	0.149	0.161
E	3.450	3.750	0.136	0.148
e	1.270 TYP.		0.050 TYP.	
e1	3.710	3.910	0.146	0.154
L	14.900	15.300	0.587	0.602
$\theta$	45° TYP.		45° TYP.	